



MANUAL

RP-2000 COMMANDER

Version : 0.2
Product : RP-2000 Commander
Date : June 25 / 2007
Issued by : Rotapanel international b.v., Plutoweg 2, Leeuwarden
THE NETHERLANDS.

Rotapanel International bv.
Plutoweg 2, 8938 AB LEEUWARDEN
THE NETHERLANDS

Phone +31(0)58 288 00 00 / Fax +31(0)58 288 28 30

Website: www.rotapanel.com / E-mail: info@rotapanel.com

Manual also available at: www.manualrotapanel.com

Publication information:

Title	Manual Commander Advertising
Version	Version 0.2 June © 2007
File	C:\Documents and Settings\Eigenaar\Bureaublad\Handleiding Advertising 2007 NL\Commander Eng\Commander Eng.doc
Author	H.G. Born
Comment:	PRE-RELEASE

In spite of the attention given to drawing up this Rotaposter manual, Rotapanel International bv shall not be liable for any inaccuracy it may contain. Subject to alteration.

Copyright © 2007, Rotapanel International bv, Leeuwarden.

Alle rechten voorbehouden. Niets uit deze uitgave mag worden veeleelvoudigd, opgeslagen in een geautomatiseerd gegevensbestand, of openbaar gemaakt, in enige vorm of op enige wijze, hetzij elektronisch, mechanisch, door fotokopieën, opnamen of op enige andere manier, zonder voorafgaande schriftelijke toestemming van de uitgever.

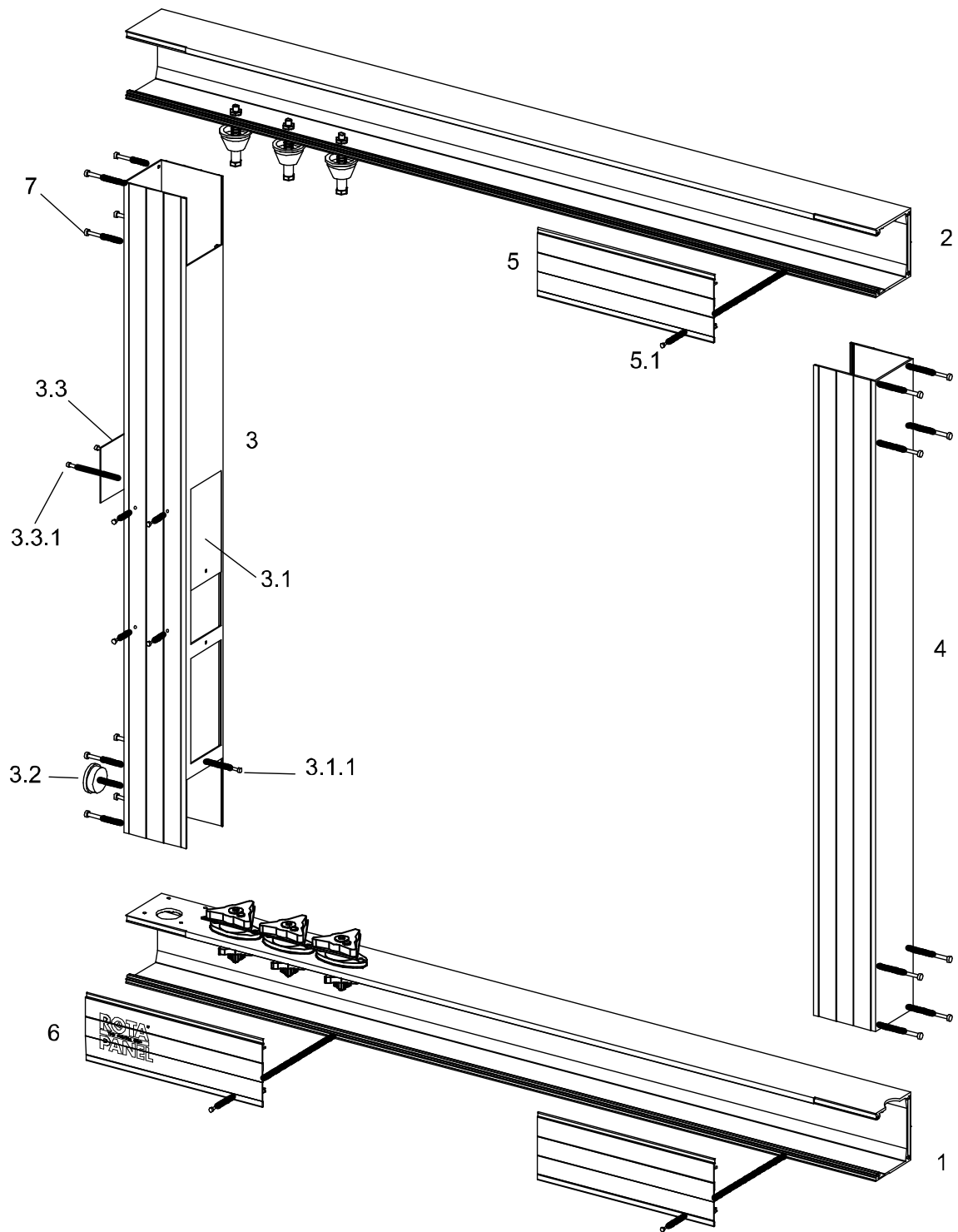
INDEX

page

	Cover	1
	Publication information	2
	Index	3
1	Assembly overview	4
2	Commander	5
2.1	Description of use	6
2.2	Menu's	7
	Notes	8

-- END --

1 ASSEMBLY OVERVIEW



2 COMMANDER






General:

The Commander enables you to change the following settings:

- delay time per zone
- direction of rotation
- use of default or stored values
- all other possibilities are described under menu settings.



Explanation of housing (see illustration):

	Power on switch	: Switch Commander on
	“P” button	: Program, change value
	“E” button	: Enter, confirm value
	Arrow up button	: increase/change value, browsing through menu
	Arrow down button	: decrease/change value, browsing through menu

2.1 DESCRIPTION OF USE:

- Connect the Commander and the RP2000 electronics by fitting the Commander's 7-pole connector into the bottom side of the electronics box. The connector only fits in 1 connector of the RP2000. If a Rotapanel comes equipped with 2 electronics boxes, or if it is connected to other Rotapanel, then the Commander must be connected to the MASTER electronics box (the Master-Slave cable must be temporarily disconnected). The electronics is located behind the access hatch 3.1 shown on page 4.
- Check whether the RP-2000 is switched on.
- Switch on the Commander by means of the "ON" switch on the housing.
- The Rotapanel will stop rotating
- First, the Commander will create the link with the RP-2000 (display message "CONNECTING TO RP-2000").
- After a max. delay of 12 sec., the display reads "DELAYTIME SIDE A" . You may alter the delay time by pressing the "P" button once. Change the value by pressing the arrow buttons, confirm the new value by means of the "E" button . If the delay time is set to "0" the respective side is skipped (may be achieved more simply by pressing the electronics box, see also the rotapanel rp-2000 manual).
- If you want to browse through the menu and change, for example, the delay time of another side then please press the arrow buttons. You may change all values as described at altering "DELAYTIME SIDE A".
- **The first time that you are using the Commander you should change the option "USE DEFAULT VALUES" into "USE STORED VALUES"**. You may change it by going to the menu option with the arrow buttons. Then, you must press the "P" button. Then press an arrow button until the display reads "USE STORED VALUES". Confirm next by pressing the "E". (If the display reads "USE STORED VALUES" then you do not have to change anything.
- Once you have finished programming, please, turn off the Commander by means of pressing the
- "P" + "E" buttons simultaneously.
- Disconnect the unit by taking out the connector.
- Restore the possible link to the slave by means of the master-slave cable.
- Now the Rotapanel ought to function with the newly implemented settings.

II NOTE:

When connecting the commander to a slave unit.
Switch ON the commander by pressing the key's shown below.



On the right side of the display the 'S' appears for slave operation.

Warning:

If you do modify the factory defaults then this may lead to irreparable damage to drive units and/or mechanism.

2.2 MENU'S:

You may go through the following menu settings by browsing with arrow buttons:

DELAYTIME SIDE A: xxxx.x s *	<i>Modification of the delay time of side A (0.0 - 3600.0)</i>
DELAYTIME SIDE B: xxxx.x s *	<i>Modification of the delay time of side B (0.0 - 3600.0)</i>
DELAYTIME SIDE C: xxxx.x s *	<i>Modification of the delay time of side C (0.0 - 3600.0)</i>
DELAYTIME SLAVE: xx.x s *	Factory default, do not alter this setting!
DELAYTIME CW: xx.x s *	Factory default, do not alter this setting!
DELAYTIME CCW: xx.x s *	Factory default, do not alter this setting!
BRAKE ACTIVE: xx.x s*	Factory default, do not alter this setting!
TURN SEQUENCE X-X-X *	<i>For changing the rotation mode (ABC, CBA and ABAC)</i>
RP-2000 UNIT MASTER	<i>Factory default, do not alter this setting!</i> Depending on your setting, it may also read RP-2000 UNIT SLAVE
MASTER A, SLAVE A	<i>Factory default, do not alter this setting!</i> Depending on your setting, it may also read MASTER A, SLAVE C
USE DEFAULT VALUES	When the Commander is used for the first time, the display reads (USE DEFAULT VALUES by means of dipswitches), you must change this into (USE STORED VALUES)

* The indicated value may vary, depending on the previously set values or on the factory defaults.

II NOTE:

The Commander is battery-operated. If necessary, you may replace the batteries in the battery section at the bottom of the Commander. You press down the two black clips and move the battery section out of the Commander. If necessary, please, replace all 4 batteries (type AA-1.5V) In order to save the batteries, please, switch off the Commander immediately after use. The commander is provided with a 30 second auto power off feature, if no button is pressed within 30 seconds the commander automatically switches off.



Warning:

If you do modify the factory defaults then this may lead to irreparable damage to drive units and/or mechanism.

Notes:

[A series of approximately 20 horizontal lines provided for taking notes.]